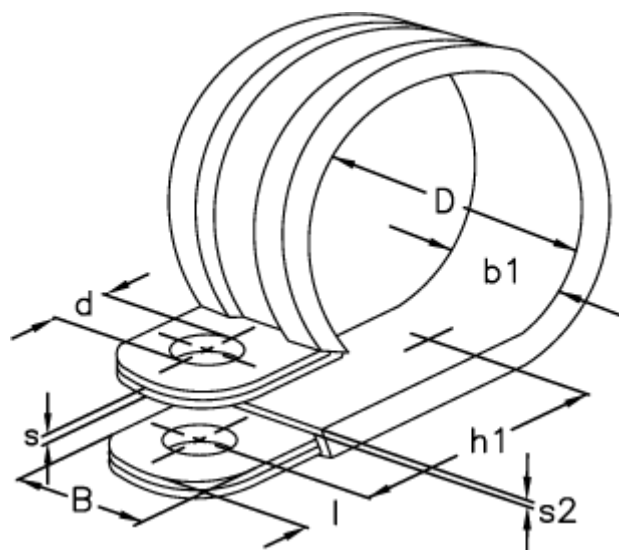


Article number: 029416915023

Description: Retaining Clip RSGU 1. 23/15 W1 EPDM

## Measures

---



|            |        |
|------------|--------|
| b1         | = 18.5 |
| d          | = 6.4  |
| Diameter D | = 23   |
| h1         | = 22.7 |
| l          | = 6.0  |
| s          | = 0.80 |
| s2         | = 1.5  |
| Width B    | = 15   |